

For the past 25 years Kozial Construction Inc. has been listening to your ideas. We are an environmentally responsible design/build company that specializes in energy efficient construction. You deal with one person from start to finish. Known for their friendly hardworking crews and "Quality Construction" and attention to small details. From the Super insulated "IFC" house to custom Post & Beam Cedar Lake houses, to light commercial construction. We have the commitment to do your project the way you want. We are your area builder for Energy Star® Certified Homes. And now we are the area Supplier of TF System®. The Vertical ICF, Inc. our forms can be used for basement and exterior walls in residential and commercial construction. Our company distributes to a wide area in west central Wisconsin.



"We are so satisfied with the TF product, and installation crew that we can't wait to do our next home with TF and Kozial Construction Inc."

Richard & Darlene Hinke

For pricing contact:
Kozial Construction Inc.
David Kim Kozial

N 416 County Road V V
 Sheldon Wi. 54766
 Office: 715-452-5724
 Cell: 715-577-3546
 Fax: 715-452-5107
 Email:
 kozialconstruction@centurytel.net
 Websites: kozialconstruction.com
 tfssystem.com

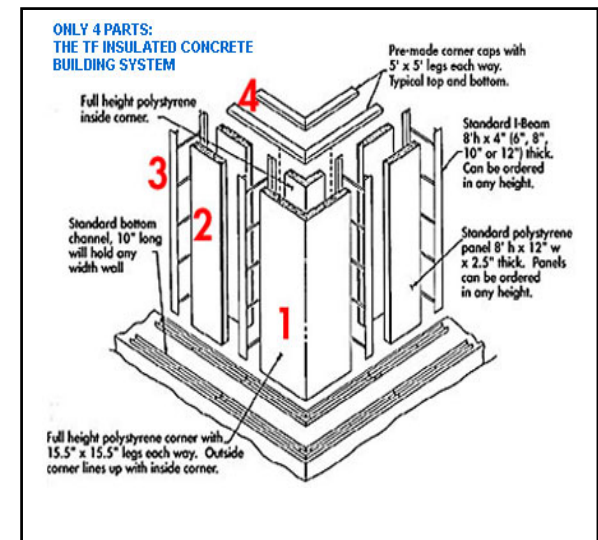


KOZIAL
CONSTRUCTION INC.
BUILDING YOUR FUTURE

WITH



TF System® - The Vertical ICF



CAN YOUR ICF DO THIS ?



Don't build your 21-century home with 20-century technology. With energy costs continually rising you owe it to yourself to check into the TF Insulated Concrete Building System. Insulated concrete homes save you money from the day you move in.

We have homes in the area for you to check out now. Compare the advantages and see for yourself. Lower your heating bills now!

- Easy to get the “perfectly insulated” wall.
- Up to a 40 % reduction in heating costs
- We "panelize" the system for the ultimate in cost efficiency

- *Energy Savings*
- *Strength & Durability*
- *Finishes easily with conventional materials*

**-TF SYSTEM-
PANELIZED ICF**